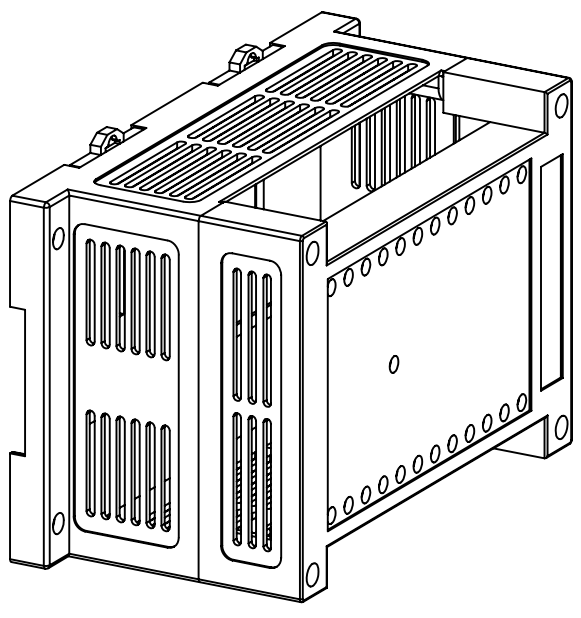
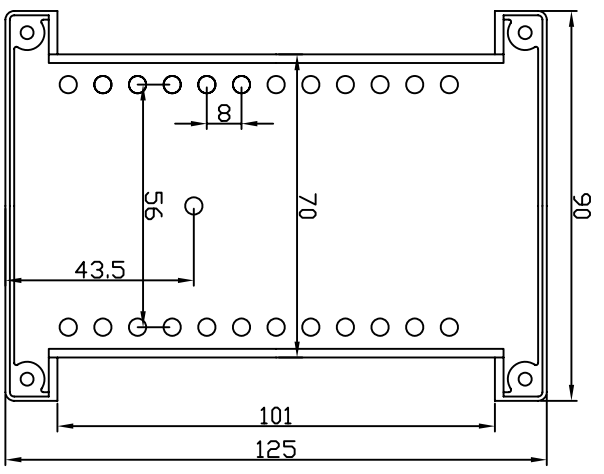
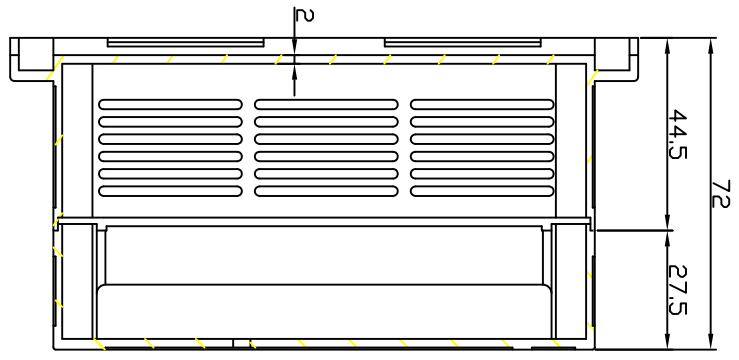
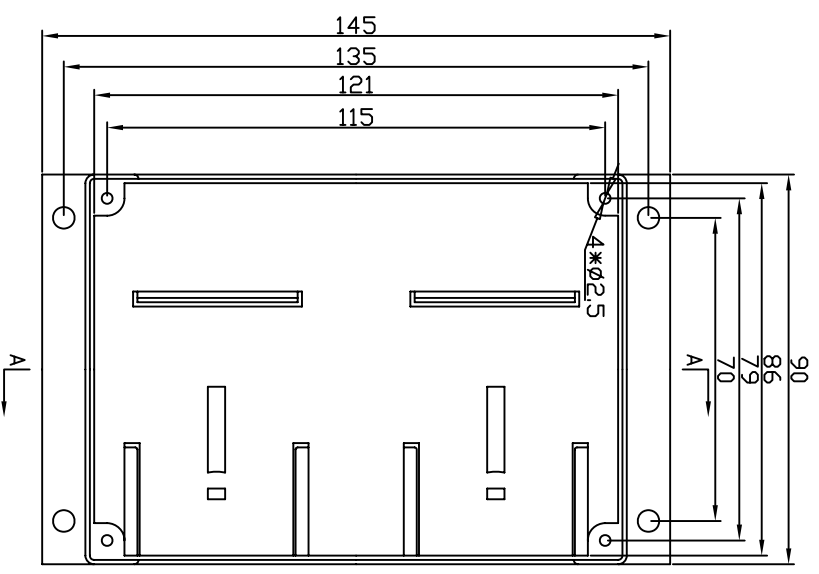
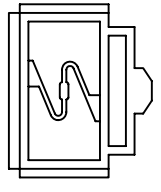


REVISION RECORD			
REV	ECD	DESCRIPTION	DRFT



安装卡子



DETACHED LISTS			
 FIRST ANGLE PROJECTION	ANGLES ± 5°	TOLERANCES EXCEPT AS NOTED MM 0.1 ± 0.3 0.05 ± 0.2 0.02 ± 0.1	DEPTD DATE CHKD DATE MFD DATE APPVL DATE
FINISH:	MATERIAL: ABS	QTY: 1	DATE
SCALE: 1:1	TITLE: PLC003	DRAWING NO: PLC003	DATE
DD NOT SCALE DRAWING	EVEREST WWW.EVERESTCASE.COM	/PART NO: 00	DATE
SHEET 1 OF 1	SIZE: A4	REV:	DATE