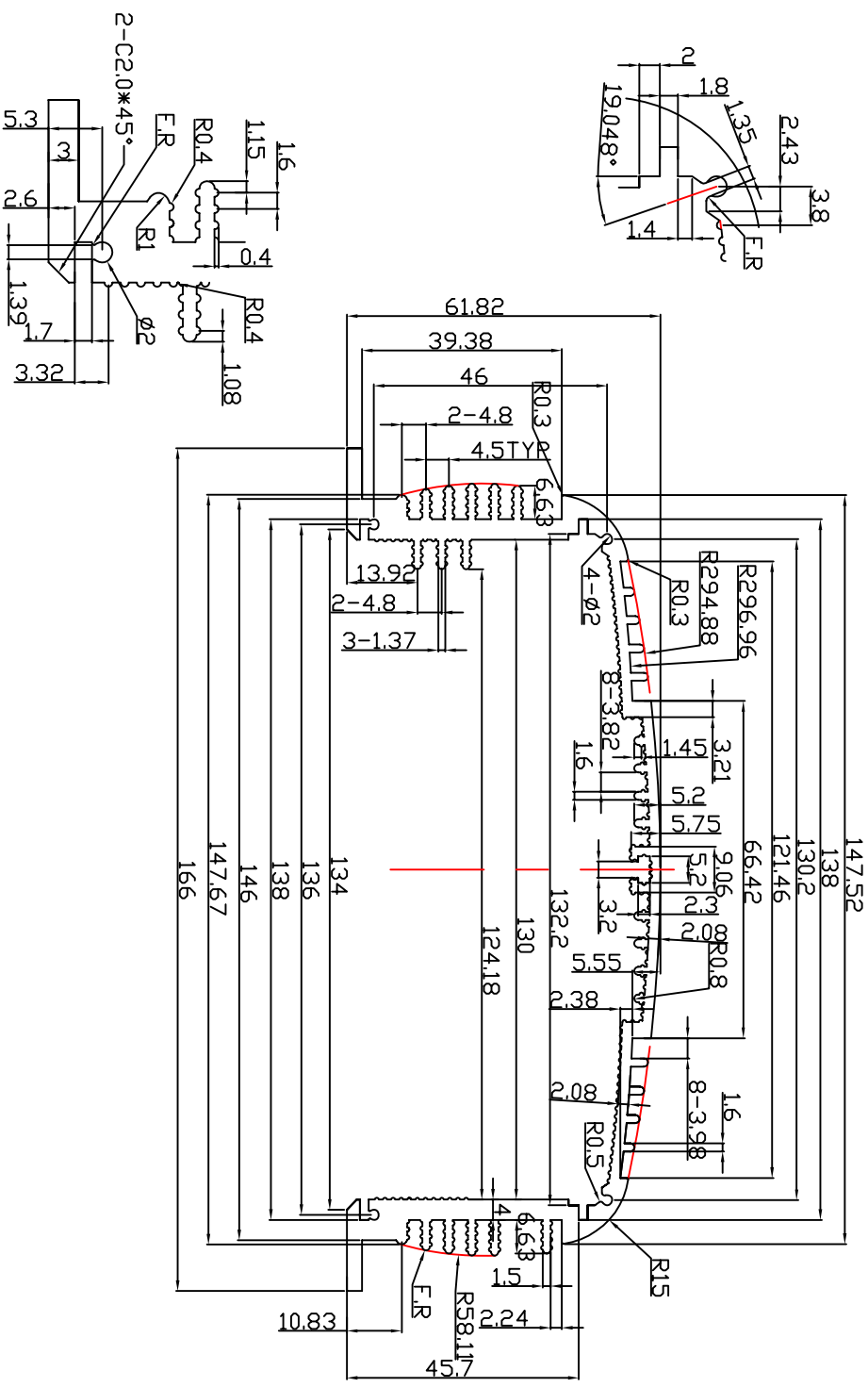


REVISION RECORD				
REV	ECD	DESCRIPTION	DR-T	CHKD



DETACHED LISTS		UNIT		DATE	
MM	INCH	DATE	DATE	DATE	DATE
0 ± 0.3	±	CHKD	DATE	DATE	DATE
.00 ± 0.02	±	APPVL	DATE	DATE	DATE
0.00 ± 0.01	±	MATERIAL	AL		
ANGLES ± 5°		QTY	1		
THIRD ANGLE PROJECTION		FINISH			
SCALE: 1:1		DRAWING NO.	AEH109		
		/PART NO.	00		
		DD NOT SCALE DRAWING	SHEET 1 OF 1		

埃弗勒斯 EVEREST
WWW.EVERESTCASE.COM

TITLE
AEH109

SIZE
A4

REV