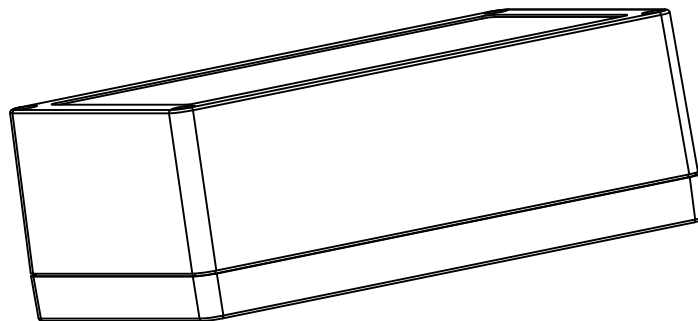
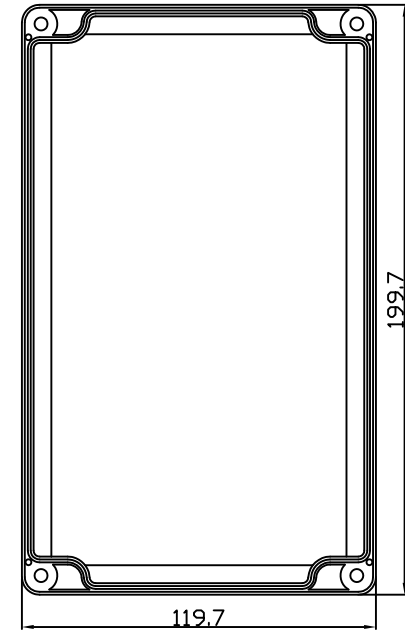
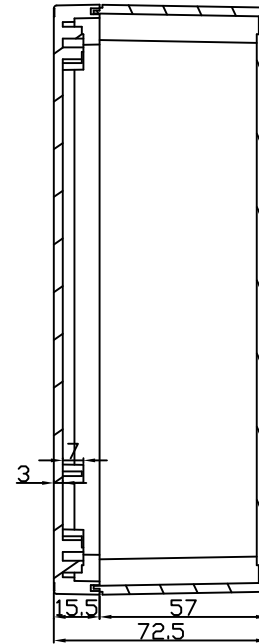
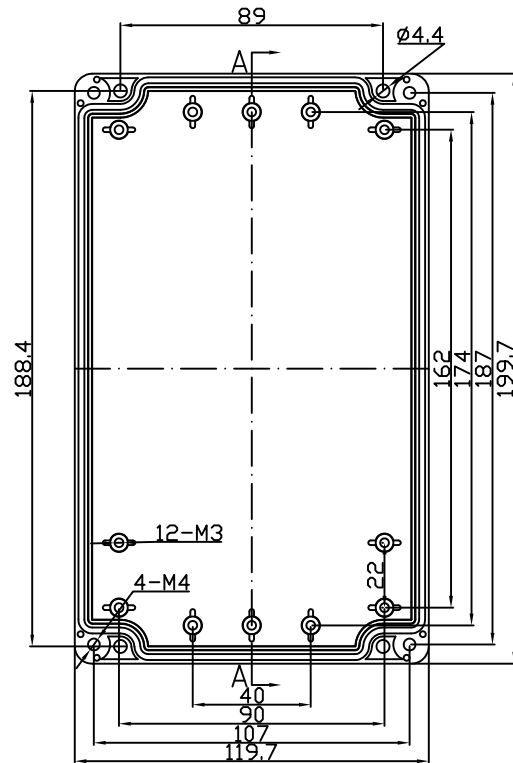


REVISION RECORD				
REV	ECD	DESCRIPTION	DRFT	CHKD



DETACHED LISTS			DRAWN	NAME	DATE	 <b>EVEREST</b> WWW.EVERESTCASE.COM	TITLE		
	TOLERANCES EXCEPT AS NOTED		CHECKED	Aaron	01/22/2015		PW054		
	MM	±	ENG APPR.				DRAWING NO. PW054		
	.0 ± 0.3	±					/PART NO. 00		
.00 ± 0.2	±	MATERIAL : ABS			SIZE			REV	
.000 ± 0.1	±	ANGLES ± 5°			A4				
FIRST ANGLE PROJECTION		QT'Y :			DRAWING NO. PW054			SIZE	REV
		FINISH:			/PART NO. 00			A4	
		SCALE : 1:1			DO NOT SCALE DRAWING			SHEET 1	OF 1