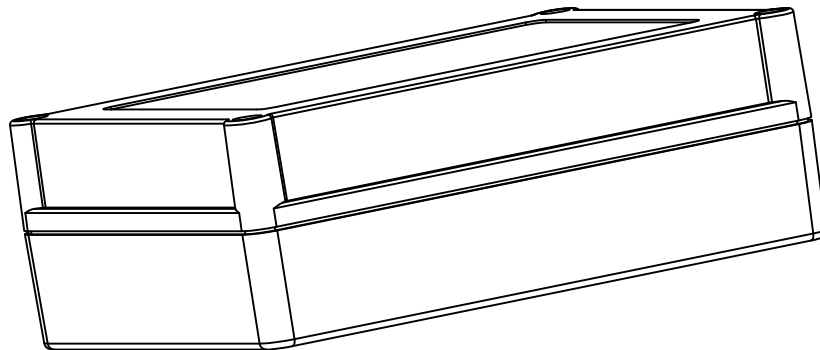
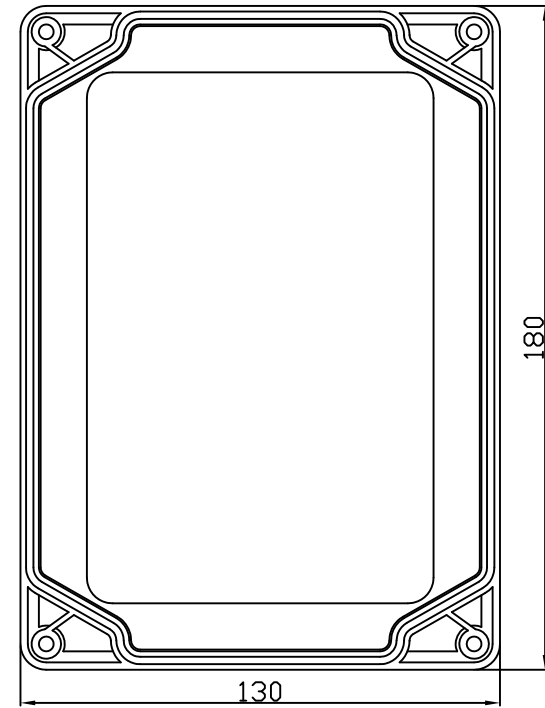
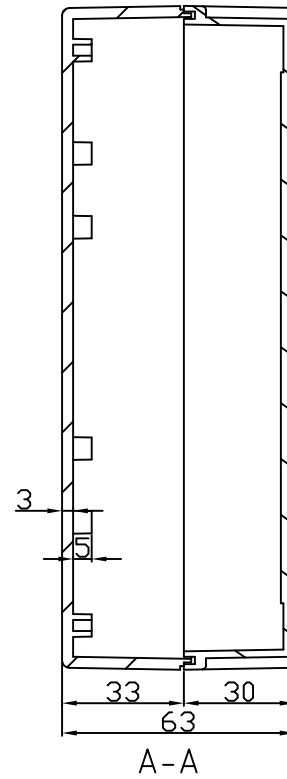
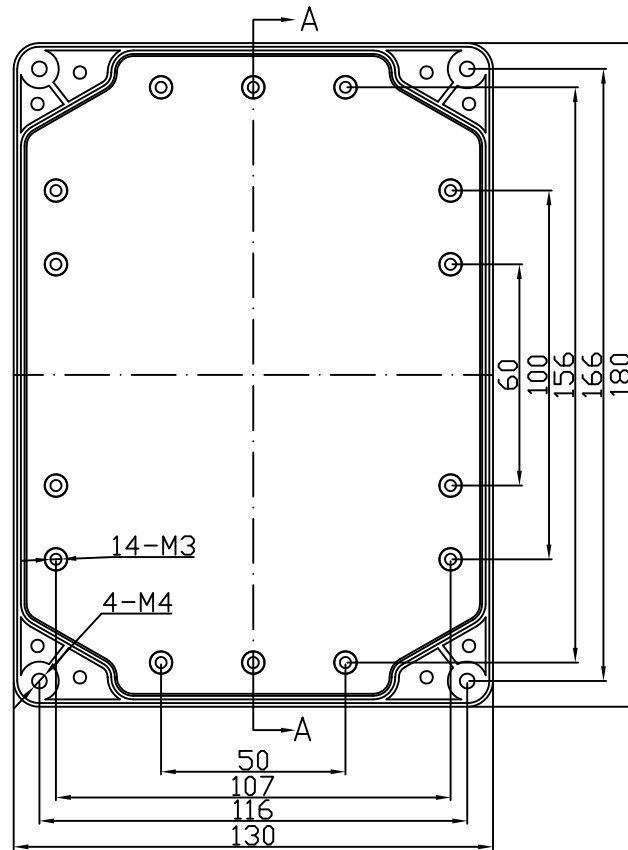


REVISION RECORD				
REV	ECD	DESCRIPTION	DRFT	CHKD



DETACHED LISTS			DRAWN	NAME	DATE	 EVEREST WWW.EVERESTCASE.COM	TITLE			
	TOLERANCES EXCEPT AS NOTED		CHECKED	Aaron	01/09/2015		PW111			
	MM	±	ENG APPR.				DRAWING NO. PW111		SIZE	REV
	.0 ± 0.3	±	MATERIAL : ABS		/PART NO. 00		A4			
.00 ± 0.2	±	QT'Y :		DRAWING NO. PW111		DO NOT SCALE DRAWING		SHEET 1		
.000 ± 0.1	±	FINISH:		/PART NO. 00		SCALE : 1:1		OF 1		
ANGLES ± 5°		FIRST ANGLE PROJECTION								