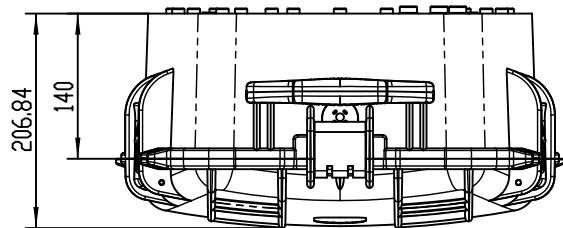
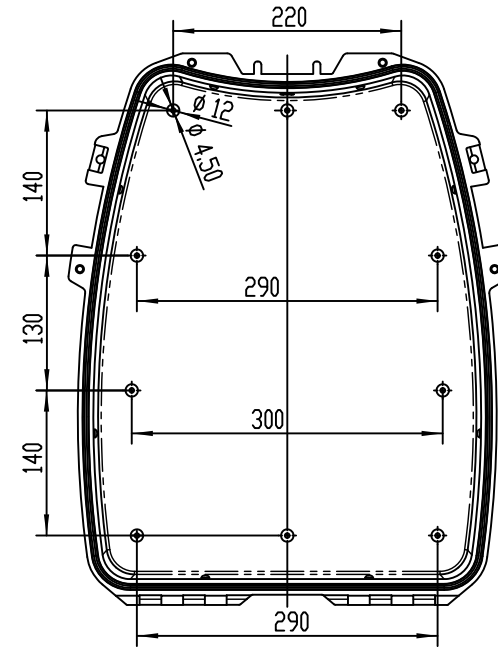
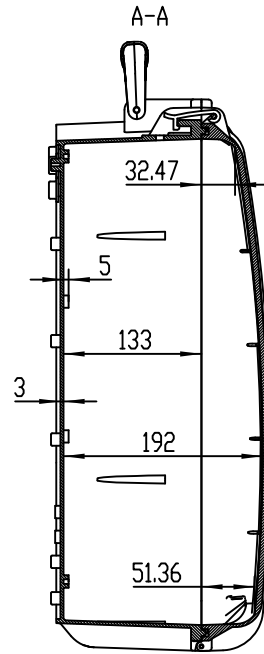
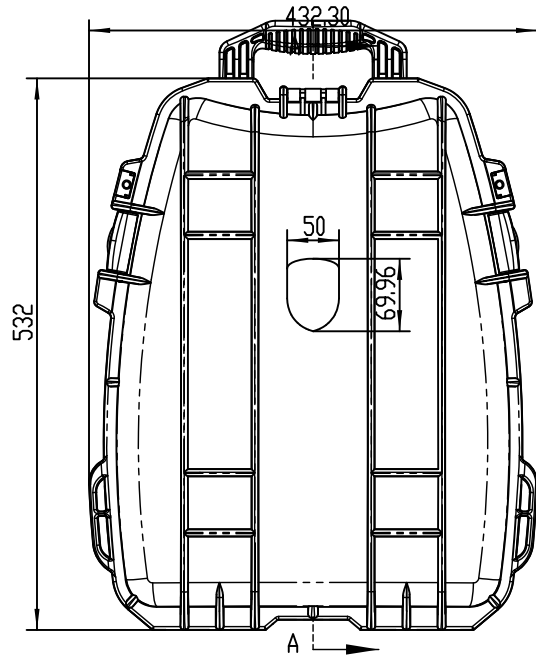


BASIC SIZE	0~3	>3~6	>6~10	>10~18	>18~30	>30~50	>50~80	>80~120	>120~180	>180~250
DIMS TOLERANCE	±0.14	±0.18	±0.22	±0.27	±0.33	±0.39	±0.46	±0.54	±0.63	±0.72



THE MACHINING TOLERANCES		NAME	DATE	 DRX.EVEREST WWW.EVERESTCASE.COM					
UNSPECIFIED TOLERANCES FOLLOW GB/1804-1992 1113		DRAWN	songhua li						
FDAM TOLERANCES		±3mm	ENG APPR	TITLE	RHINO CASE				
THE ANGLE TOLERANCES		±1°	QT'Y : 1	MATERIAL	ABS				
FIRST ANGLE PROJECTION			SCALE	1:1	UNIT	mm	PART NO	RPC2122	
DO NOT SCALE DRAWING							SHEET	DE	2